

GT MAX32

OWNERS MANUAL

GT MAX32 FEATURE OVERVIEW

5 INCH LCD SCREEN

VOCORE LCD TOUCH SCREEN

CARBON FIBER FRAME

100% HAND LAID CARBON FIBER FRAME

LEFT 7 WAY FUNKY SWITCH

ROTATE LEFT / ROTATE RIGHT / PUSH BUTTON
UP / DOWN / RIGHT / LEFT

RIGHT 7 WAY FUNKY SWITCH

ROTATE LEFT / ROTATE RIGHT / PUSH BUTTON
UP / DOWN / RIGHT / LEFT

DOWN SHIFTER

N52 MAGNETIC SHIFTER

UP SHIFTER

N52 MAGNETIC SHIFTER

GRIPS

OVER MOLDED SILICONE

LED BUTTONS

MOMENTARY 500 GRAM FORCE

LEFT CLUTCH

HALL SENSOR ANALOG INPUT

RIGHT CLUTCH

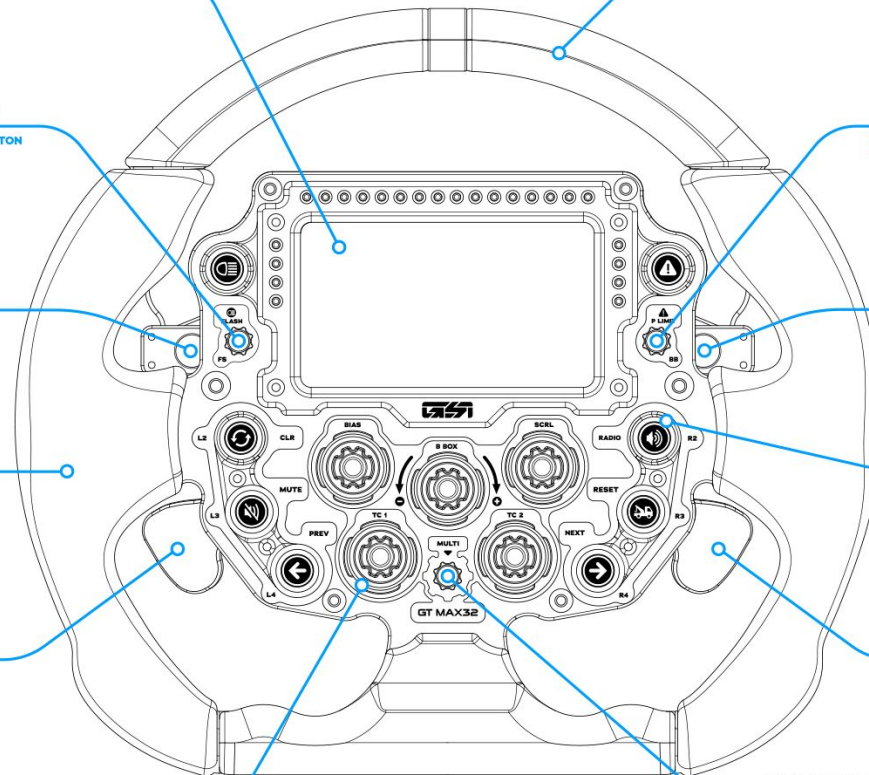
HALL SENSOR ANALOG INPUT

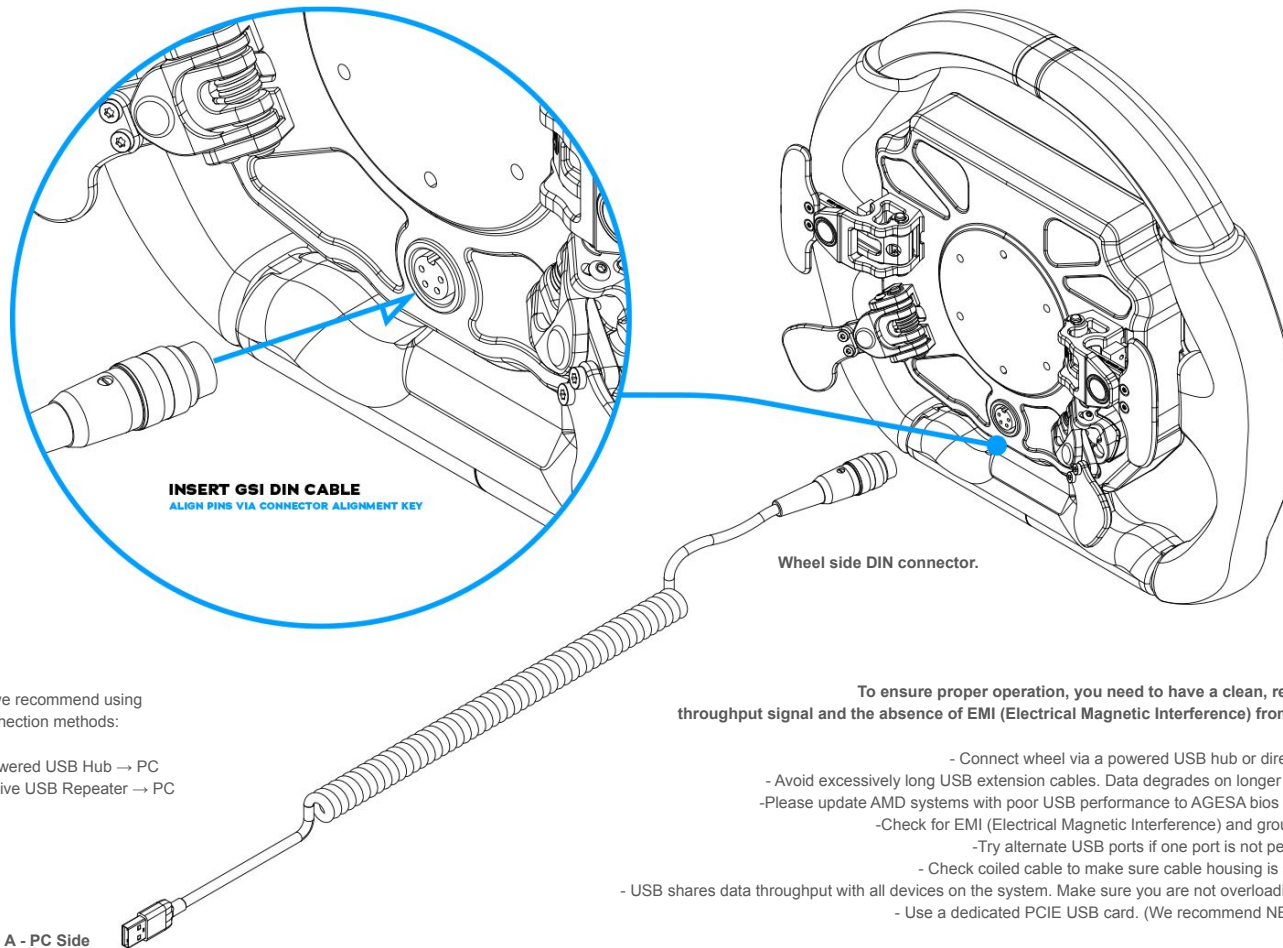
5 WAY ROTARY ENCODERS

ROTATE LEFT / ROTATE RIGHT / PUSH BUTTON /
PUSH + ROTATE LEFT / PUSH + ROTATE RIGHT

CENTER 7 WAY FUNKY SWITCH

ROTATE LEFT / ROTATE RIGHT / PUSH BUTTON
UP / DOWN / RIGHT / LEFT





INSERT GSI DIN CABLE
ALIGN PINS VIA CONNECTOR ALIGNMENT KEY

Wheel side DIN connector.

USB A - PC Side

For smooth operation, we recommend using one of the following connection methods:

- GSI Coiled Cable → Powered USB Hub → PC
- GSI Coiled Cable → Active USB Repeater → PC

To ensure proper operation, you need to have a clean, reliable USB data throughput signal and the absence of EMI (Electrical Magnetic Interference) from other devices.

- Connect wheel via a powered USB hub or directly to computer.
- Avoid excessively long USB extension cables. Data degrades on longer USB extensions.
- Please update AMD systems with poor USB performance to AGESA bios 1.2.0.2 or higher.
- Check for EMI (Electrical Magnetic Interference) and ground rig if needed.
- Try alternate USB ports if one port is not performing to spec.
- Check coiled cable to make sure cable housing is screwed on tight.
- USB shares data throughput with all devices on the system. Make sure you are not overloading the USB tree.
- Use a dedicated PCIE USB card. (We recommend NEC chipset cards)



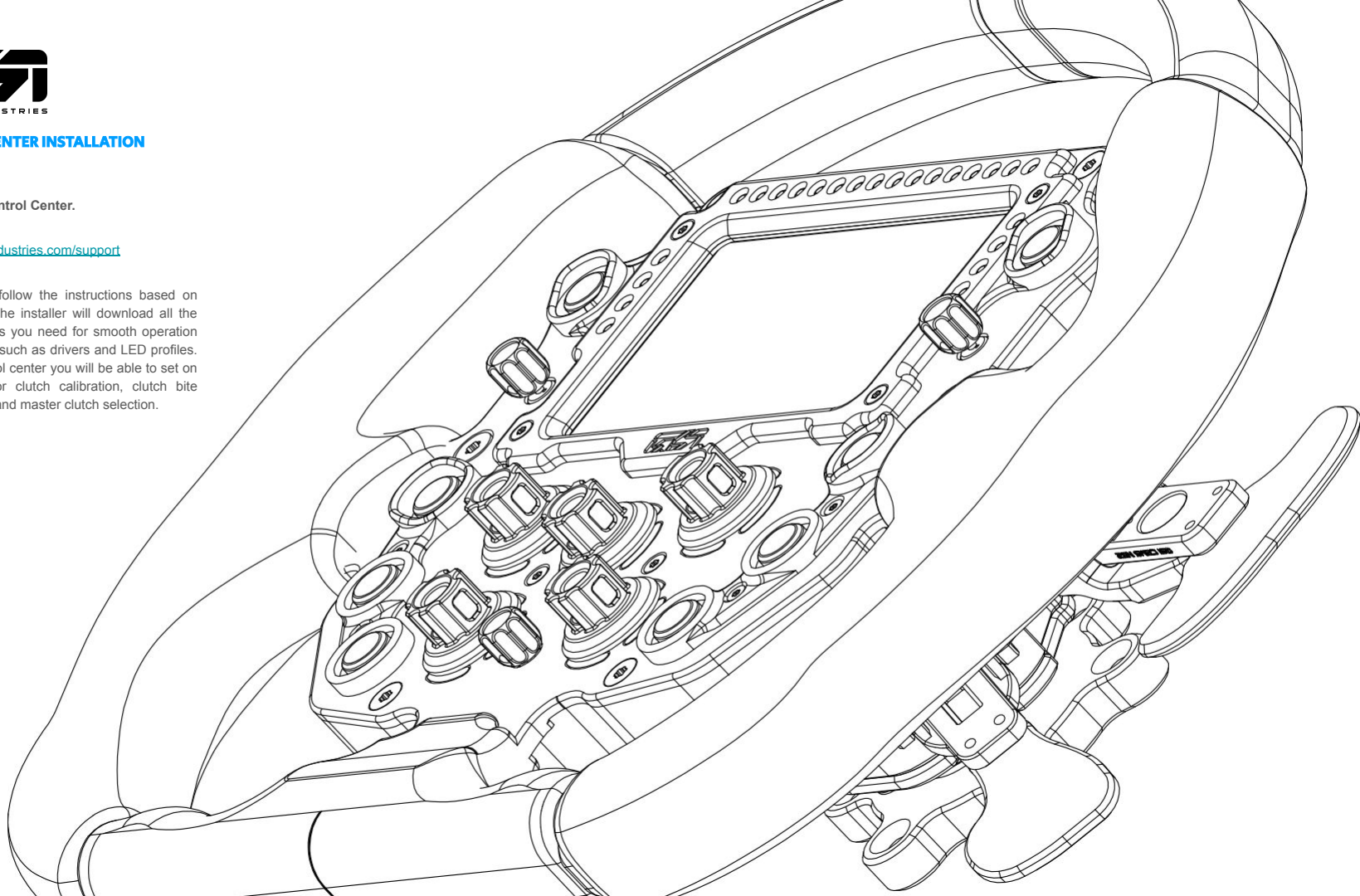
GOMEZ SIM INDUSTRIES

GSI CONTROL CENTER INSTALLATION

Download GSI Control Center.

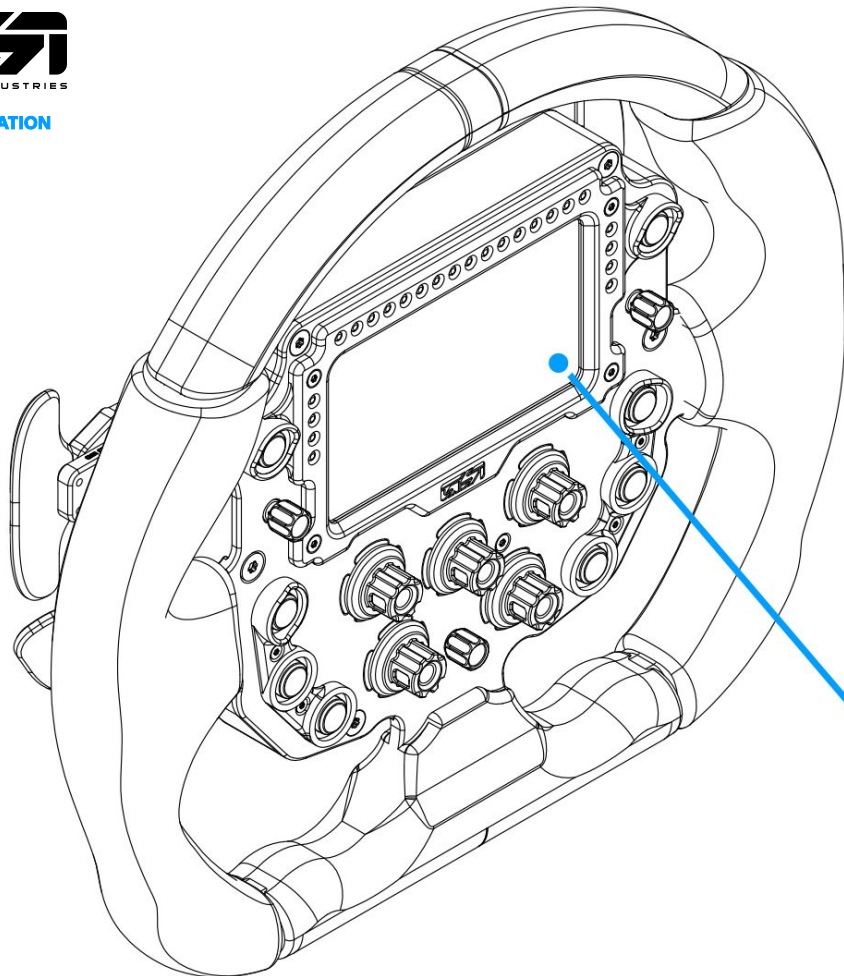
<https://gomezsindustries.com/support>

Upon installation, follow the instructions based on your GSI model. The installer will download all the necessary elements you need for smooth operation of your GSI model such as drivers and LED profiles. With the GSI control center you will be able to set on board functions for clutch calibration, clutch bite point, dead zones and master clutch selection.





SCREEN ACTIVATION



The GT MAX 32 comes with a high resolution Vocore LCD screen. Set up and installation is quite simple and can be activated with a few steps listed below.

SIMHUB SCREEN / DASH ACTIVATION.

-Make sure you have the Vocore drivers installed. They will install automatically if you have installed the GSI control center and dependencies.

Vocore driver manual download link

<https://gomezsimindustries.com/s/VOCOREScreenSetup.exe>

1. Open SimHub, click 'Devices' in the sidebar.
2. Click "Add device"
3. Select your display (Generic VOCORE) in the "Pick a supported device" screen and click Ok.
4. Make sure to uncheck 'Flip display' (180°).
5. Select 'GSI GT MAX32 Dash' or your dash of choice from the 'Displayed dashboard' dropdown

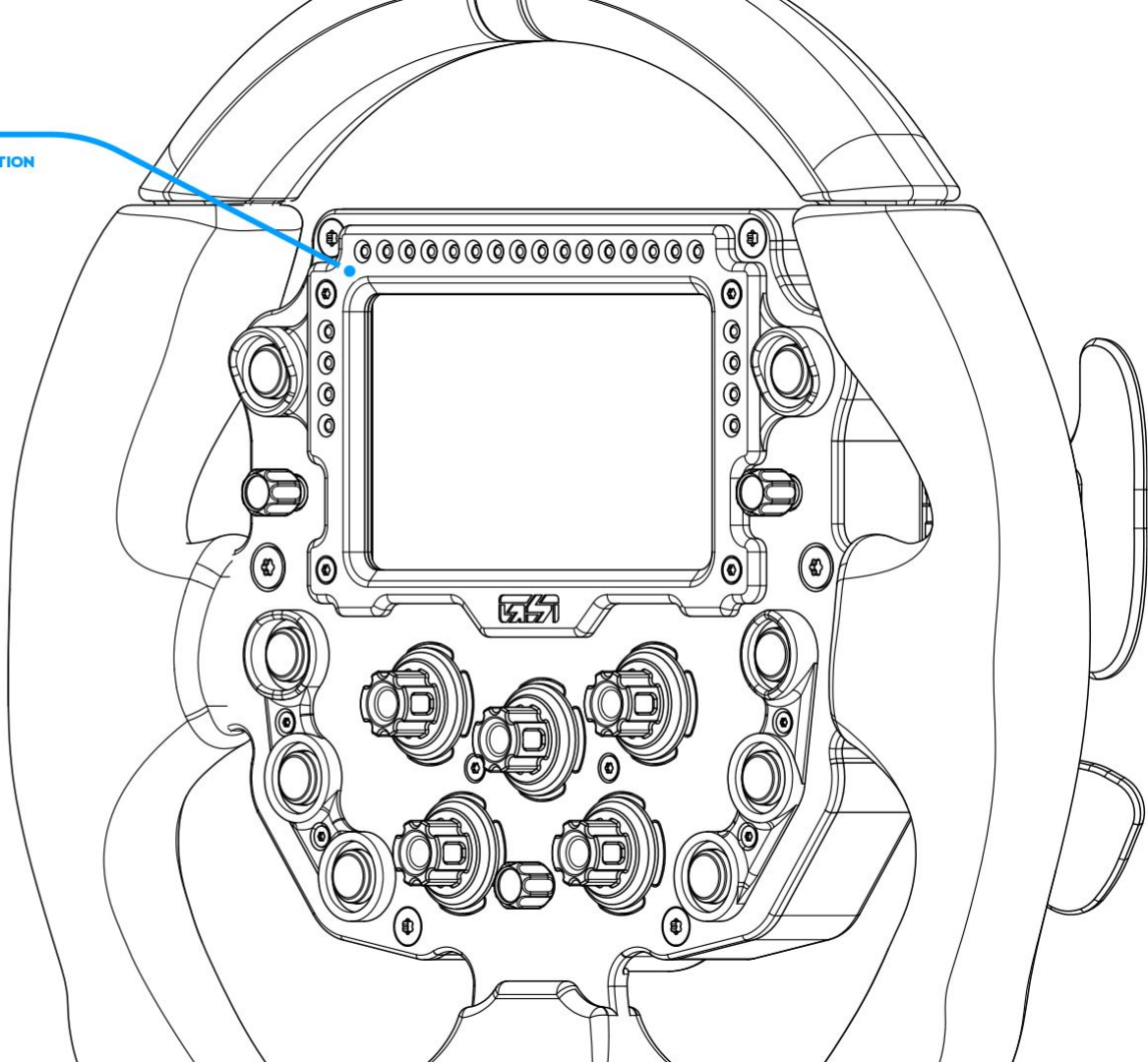
5 INCH VOCORE



RGB LED SETUP

RGB LED LIGHTS

4 X 16 X 4 CONFIGURATION



SIMHUB LED SETUP

Navigate to the Arduino section and click the “My Hardware” tab. Here make sure “Single Arduino” is selected. Your GSI wheels onboard LEDs will appear under “Detected Hardware”

Test LED function by navigating to the “RGB LEDS” tab. Once there click “Open data test editor” In the pop up click “game running” select a car model and slide the “RPMS” slider to test the onboard LED lights.

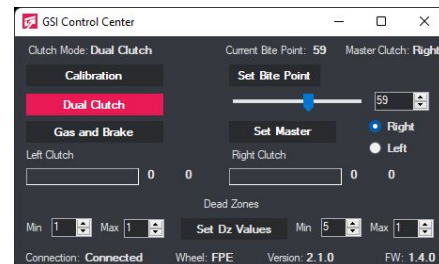
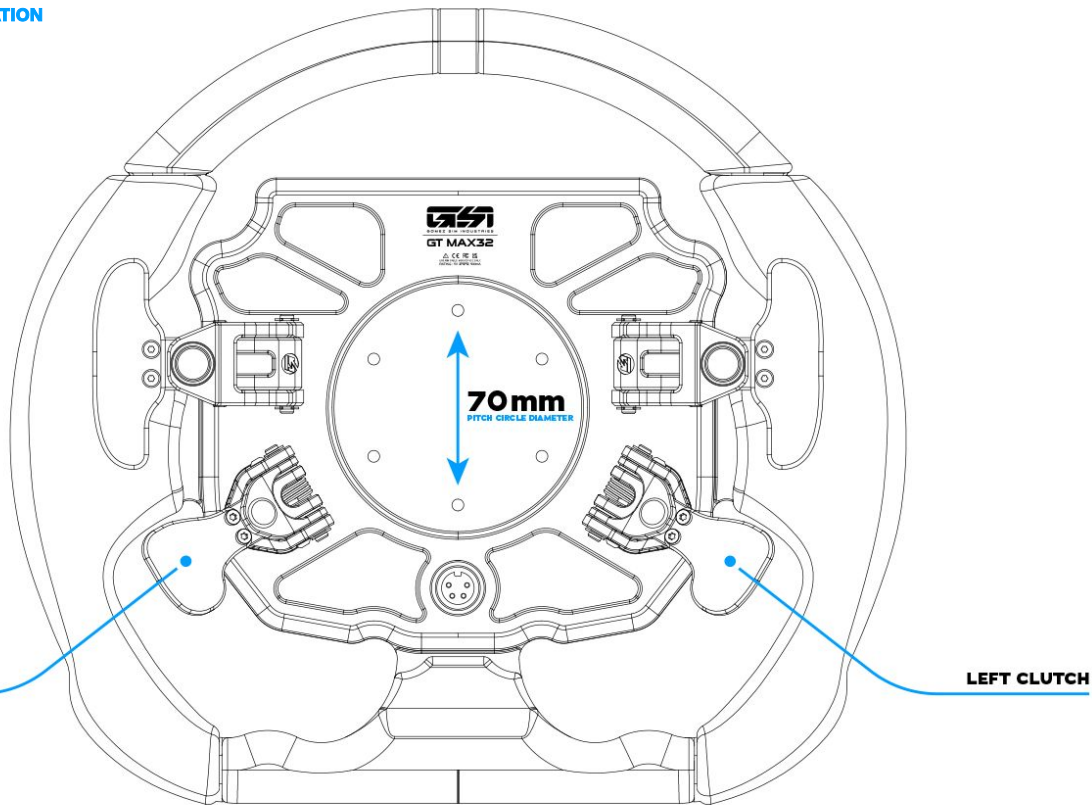
If your Arduino is not being detected, restart the app and wait 10 to 15 seconds for it to load the microcontroller. If this has no effect, restart your computer with the wheel attached and this usually solves the load failure.

IMPORTANT!

DO NOT attempt to program or upload a new Arduino sketch using SimHub to the GSI wheel. The red status LEDs on startup is indication the GSI Arduino sketch is active and operational. Any attempt to upload a new sketch will disable the wheel LEDs and will need to be sent back to GSI for reprogramming at the users cost.



CLUTCH CALIBRATION



CLUTCH CALIBRATION VIA GSI CONTROL CENTER

With the wheel plugged in, calibrate both clutches by clicking the Calibration button in the GSI Control Center app, then pull both clutches FULLY and release. Your clutches are now calibrated.

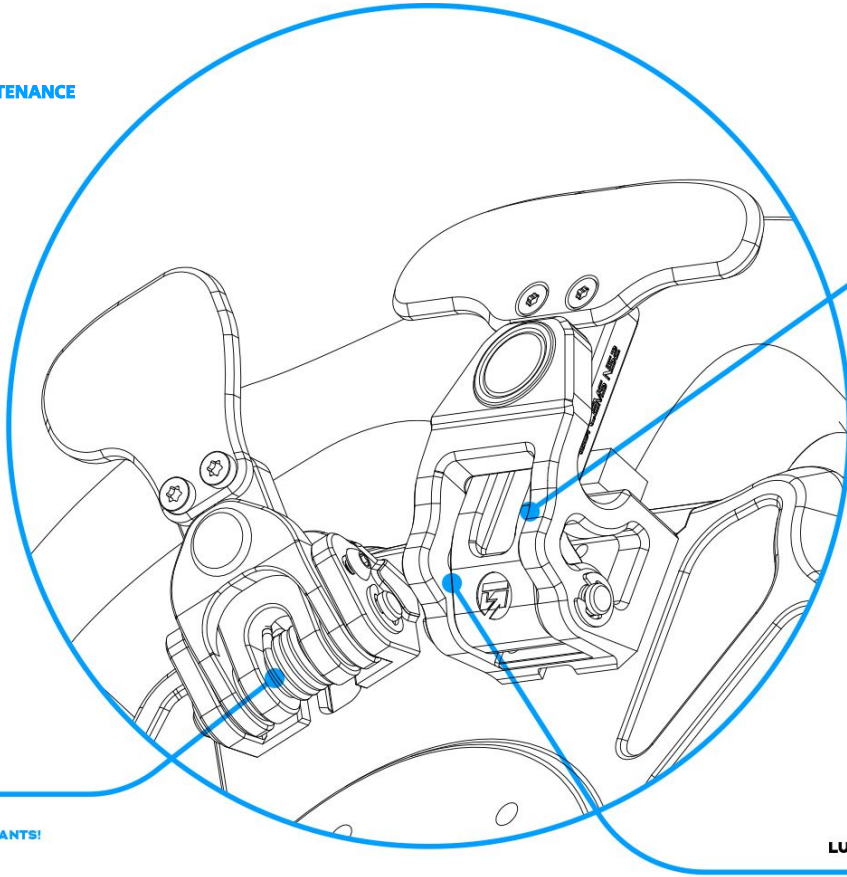
After calibration, click either the Dual Clutch or Gas and Brake option buttons.

For Dual Clutch, set the “bite point” by adjusting the bite point slider or inputting the value manually. Then click “Set Bite Point” to save your bite point to the wheels memory.

If the sensors are too sensitive, add a Min Dead Zone to clear any low range inputs coming from the clutches.

The GSI CC does not need to remain open after you have saved your inputs.

SHIFTER / CLUTCH MAINTENANCE



LUBRICANT LOCATION

USE PTFE OIL OR SIMILAR
DO NOT USE SPRAY LUBRICANTS!

LUBRICANT LOCATION

USE PTFE OIL OR SIMILAR
DO NOT USE SPRAY LUBRICANTS!

LUBRICANT LOCATION

USE PTFE OIL OR SIMILAR
DO NOT USE SPRAY LUBRICANTS!

GSI “CEMS” N52 SHIFTERS

GSI shifters have incredibly tight tolerances for a maximum level of precision in actuation. It is important to keep the shifters well lubed for proper operation. Shifters come lubed from the GSI factory. After some time the shifter will need to be maintained and lubed by the user. A small amount of PTFE oil or like substance should be applied to the area between the shifter body and the shifter arm. A small amount is all that is needed. Please do not use spray lubes as it can over lubricate the shifter. DO NOT let excess oil drip into the body of the wheel!

GSI “HSE” CLUTCHES

GSI “HSE” (Hall Sensor Engagement) Clutches are CNC'd out of 6160 aluminum with a custom made spring for a more controlled pull and modulation. The internal Hall sensor doesn't wear out over time providing you a lifetime of use and it has an adjust throw height. From time to time you may need to add a some amount of lube to the spring area at the base and at the top of the springs if there is any sound or difficulty in the pull of the clutch.



HUB INSTALLATION

MOUNTING (Optionally Available) HUB EXTENSIONS

Each GSI wheel comes with a 70mm pitch circle diameter. The Pitch Circle Diameter (PCD) is the diameter of the circle which passes through the center of all the wheel rim holes. Any hub that is a 70mm PCD will attach to the GSI.

Always use the non threaded side of the hub to introduce it to the threaded side of the back of the wheel body. If a hub with threads needs to be attached you must use "captive" screws.

NEVER SCREW FROM A THREADED ITEM TO ANOTHER THREADED ITEM USING REGULAR SCREWS. DAMAGE TO THE THREADS WILL OCCUR!

WARNING! Do not use screws that are 4mm longer than the lip of the hub. For example GSI hubs have a 8mm lip, the body of the GSI wheel is 4mm thick. So the screw is a combined 12mm long screw. Any longer and you risk screwing into the PCB board of the wheel and destroying it. **THIS IS NOT COVERED UNDER WARRANTY!**

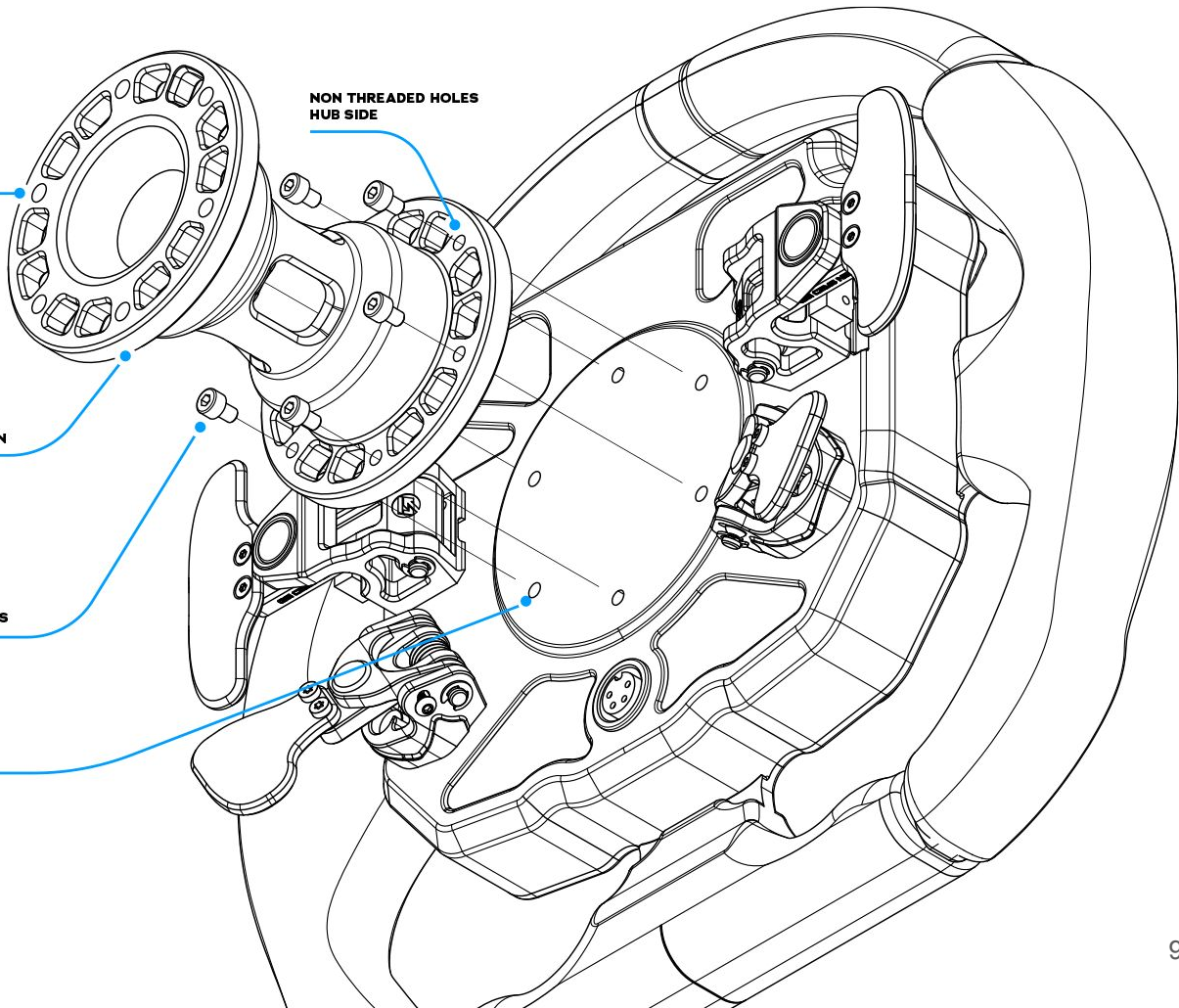
FULLY THREADED HOLES
HUB SIDE

NON THREADED HOLES
HUB SIDE

AH100 / AH50 HUB EXTENSION

M5 x 12mm MOUNTING SCREWS

FULLY THREADED HOLES
WHEEL SIDE



TOLERANCE ADJUSTMENT CAP

QRS-1 BASE SIDE

M3 x 6mm SHIM SCREWS

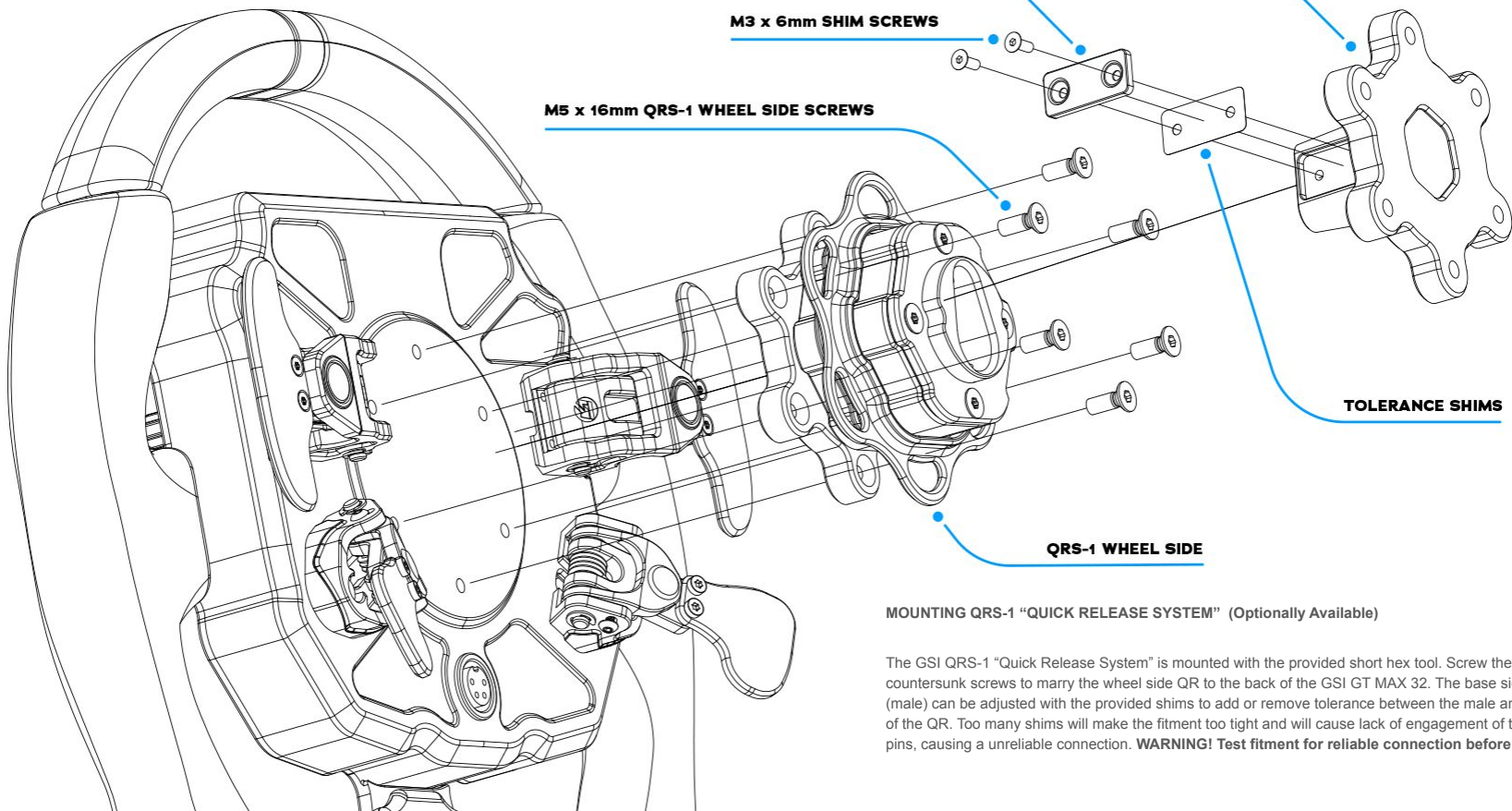
M5 x 16mm QRS-1 WHEEL SIDE SCREWS

TOLERANCE SHIMS

QRS-1 WHEEL SIDE

MOUNTING QRS-1 "QUICK RELEASE SYSTEM" (Optionally Available)

The GSI QRS-1 "Quick Release System" is mounted with the provided short hex tool. Screw the six M5 x 16mm countersunk screws to marry the wheel side QR to the back of the GSI GT MAX 32. The base side tightness (male) can be adjusted with the provided shims to add or remove tolerance between the male and female sides of the QR. Too many shims will make the fitment too tight and will cause lack of engagement of the QR retaining pins, causing an unreliable connection. **WARNING! Test fitment for reliable connection before use.**





TERMS AND CONDITIONS

Gomez Sim Industries LLC prides itself on its attention to detail and the quality of its products and materials. We provide this manufacturer's warranty from the date of purchase for all GSI products for a period of 12 months. If you believe you have received a defective product, or are experiencing any problems with your product. Please email us at info@gomezsimindustries.com

This warranty strictly does not cover damages that arose from negligence, misuse, modification of any kind, wear and tear, or not in accordance with product instructions (dropping the product, etc.).

If your product malfunctions or fails to perform, you may be eligible for a free replacement (Terms & Conditions apply).

To obtain service under this Warranty, please contact our customer support team at info@gomezsimindustries.com with the following information in order to determine the problem and the most appropriate solution:

Proof of purchase
Photo/Video of the faulty product

Please clearly specify the issue with your purchased item. If the problem cannot be resolved, we will send you a replacement, or a full refund including all delivery charges.

Please provide a valid proof of purchase in your initial enquiry, such as your order number on our online store, or a receipt from an authorized retailer. Unfortunately, we cannot offer the warranty to products without proof of purchase.

Please note, to receive a free replacement, you may be asked to send the faulty product to Gomez Sim Industries. Full warranty terms & conditions can be found below.

STANDARD ONE YEAR MANUFACTURER WARRANTY

The manufacturer warrants this product to be free from defects in workmanship and materials, under normal use and conditions, for a period of one (1) year from the original invoice date. Shipping and handling fees are to be paid for by the customer. The manufacturer agrees, at its option during the warranty period, to repair and defect in material or workmanship or to furnish a repaired or refurbished product of equal value in exchange without charge (except for a fee for shipping, handling, packing, return postage, and insurance which will be incurred by the customer). Such repair or replacement is subject to verification of the defect or malfunction and proof of purchase as confirmed by showing the model number on original dated sales receipt.

WARRANTY LIMITATIONS

This warranty does not include: Any condition resulting from other than ordinary wear or any use for which the product was not intended, such as use in rental or commercial use. Any condition resulting from incorrect or inadequate maintenance or care. Damage resulting from misuse, abuse, negligence, accidents or shipping damage, dissatisfaction due to buyer's remorse, normal wear and tear, damages incurred during transportation, damages incurred during assembly or maintenance, any used, previously displayed items

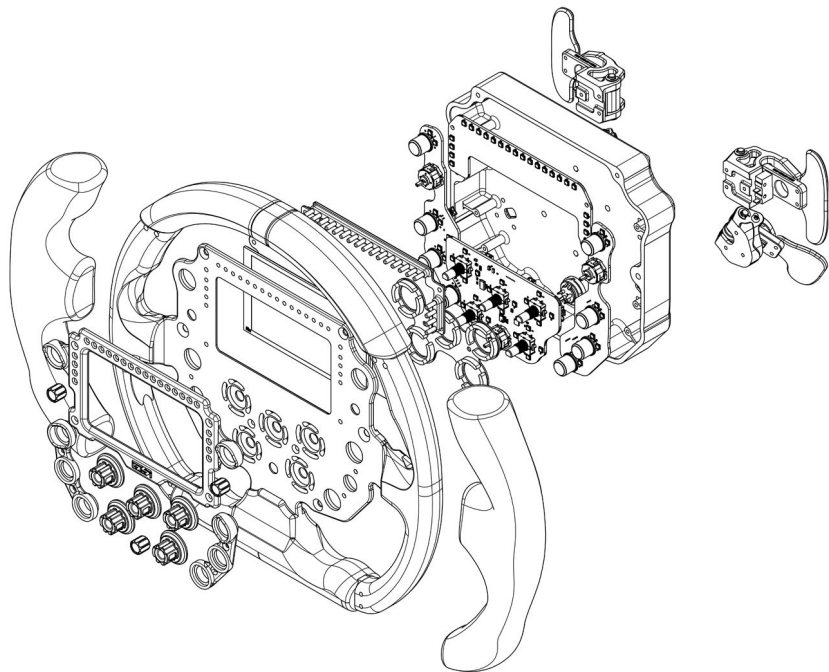
The Company makes no express warranty or condition whether written or oral and the company expressly disclaims all warranties and conditions not stated in this limited warranty. To the extent allowed by the local law of jurisdictions outside the United States, the Company disclaims all implied warranties or conditions, including any implied warranties of merchantability and fitness for a particular purpose. For all transactions occurring in the United States, any implied warranty of condition of merchantability, satisfactory quality, or fitness for a particular purpose is limited to the duration of the express warranty set forth above. Some states or countries do not allow a limitation on how long an implied warranty lasts or the exclusion of limitation of incidental or consequential damages for consumer products. In such states or countries, some exclusions or limitations of this limited warranty may not apply to the Purchaser. For consumer transactions, the limited warranty terms contained in this statement, except to the extent lawfully permitted, do not exclude, restrict, or modify but are in addition to the mandatory statutory rights applicable to the sale of this Product to the Purchaser. All warranty claims must be filed by the consumer to the company. Please retain invoices for a minimum of one year for warranty purposes.

CLAIM PROCEDURES

Claims for defective merchandise must be made within ONE year from invoice date. Claims for missing parts must be made within 60 calendar days after the merchandise is received. Any claim for defective merchandise returns must be packed in original packaging. We reserve the right to specify that items be returned to the original warehouse for inspection. Pictures are required to claim defective merchandise, along with a copy of the original invoice. If the claim is justified, the item(s) or part(s) will be repaired or replaced or a credit will be issued. It is our policy to replace parts whenever possible. This warranty gives you specific legal rights. You may have other rights, which vary from state to state.

RETURN & REFUND POLICY

You have 30 calendar days to return an item from the date you received it. To be eligible for a return, your item must be unused and in the same condition that you received it. Your item must be in the original packaging. Your item needs to have the receipt or proof of purchase.



Warnings & instructions for safe usage.

- **WARNING: CHOKING HAZARD** - Small parts, adult supervision required! Never let children use the GSI steering wheel, or any of the provided parts or tools without supervision by an adult.
- Never use damaged or in any way defective product, stop using it and contact the reseller or the manufacturer.
- Use protective gloves when changing or adding parts to the steering wheel, or when removing parts from it.
- Always make sure everyone using the GSI steering wheel have read and understood the content of the manual above.
- Always check that all connections and quick releases are tightened before using the steering wheel.
- **DO NOT** open the steering wheel.
- The GSI steering wheel or any of its parts may not be used for any other purpose than what they were designed for. GSI products are meant to be used as an USB-input device on a computer. **DO NOT USE IN A REAL CAR!** The manufacturer is not liable for any damage that may result from using the product in violation of the instructions.
- Always fasten the GSI steering wheel to the direct drive base with M5 bolts (6 pcs). It is the user's responsibility to ensure that the platform can withstand the use of the GSI steering wheel.

Operating environment and safe storage conditions

- 15°C – 35°C temperature, non-condensing humidity.
- Do not expose the GSI steering wheel or any provided parts to direct sunlight or moisture.
- Indoor use and storing only.

Warranty

The product has a 1-year warranty, excluding situations and events where:

- Instructions for use or care have been disregarded.
- The product has been used incorrectly or carelessly.
- An accident or other event has occurred after the product has been handed over, in which the product has been damaged by external factors.
- Normal wear and tear in use.

CE-Marking


 USE GSI CABLE #GSI-CC-V3.2 ONLY.
 RATING : 5V  500mA

Product meets EU standards for health, safety, and environmental protection.
 Manufacturer: Gomez Sim Industries LLC
 Manufacturer address: 1167 Mississippi Ave #100, Dallas, Texas 75207