

QRS-1

QUICK RELEASE SYSTEM

USER MANUAL

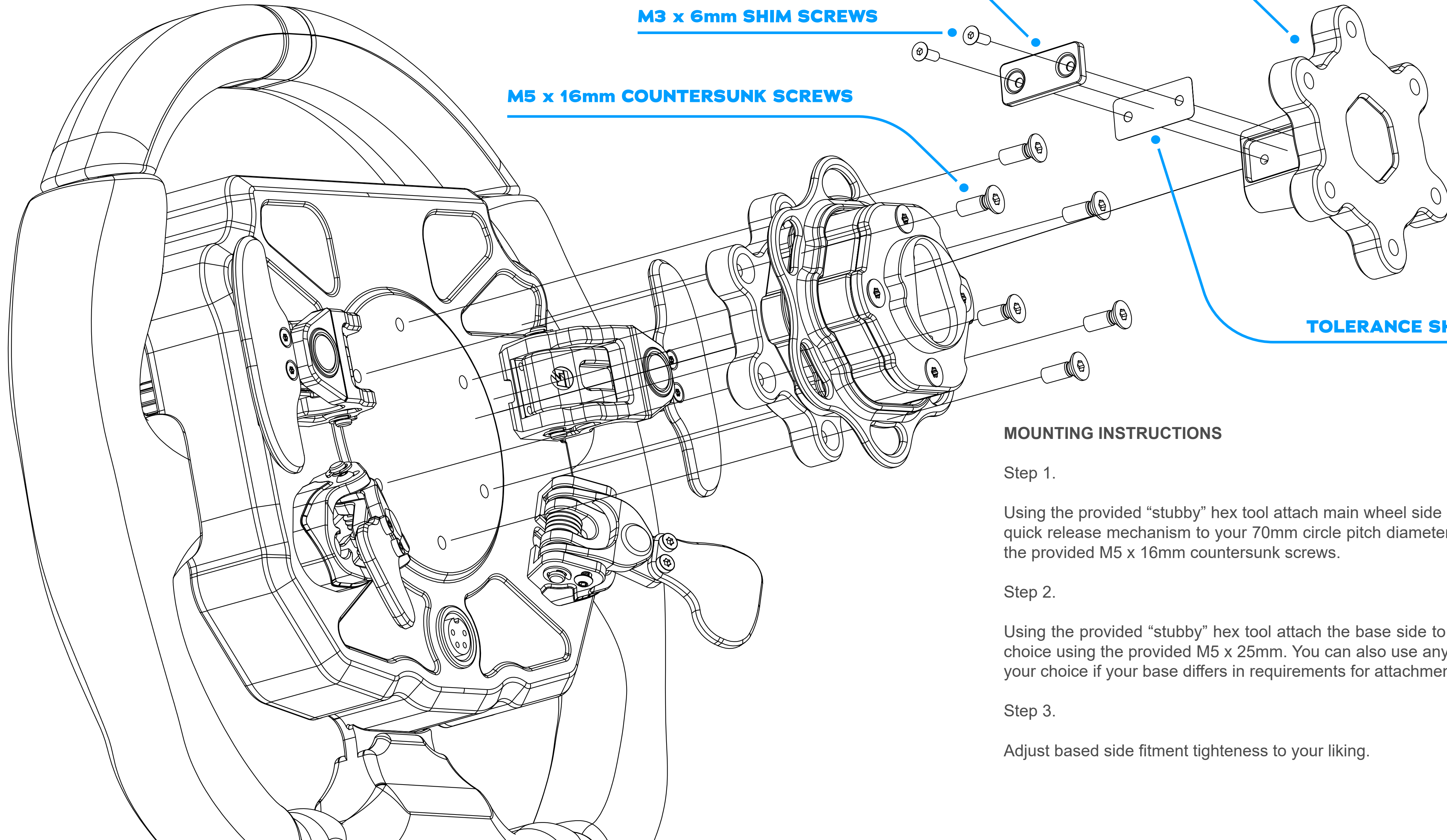
TOLERANCE ADJUSTMENT CAP

QRS-1 BASE SIDE

M3 x 6mm SHIM SCREWS

M5 x 16mm COUNTERSUNK SCREWS

TOLERANCE SHIMS



MOUNTING INSTRUCTIONS

Step 1.

Using the provided “stubby” hex tool attach main wheel side of the QRS-1 quick release mechanism to your 70mm circle pitch diameter wheel using the provided M5 x 16mm countersunk screws.

Step 2.

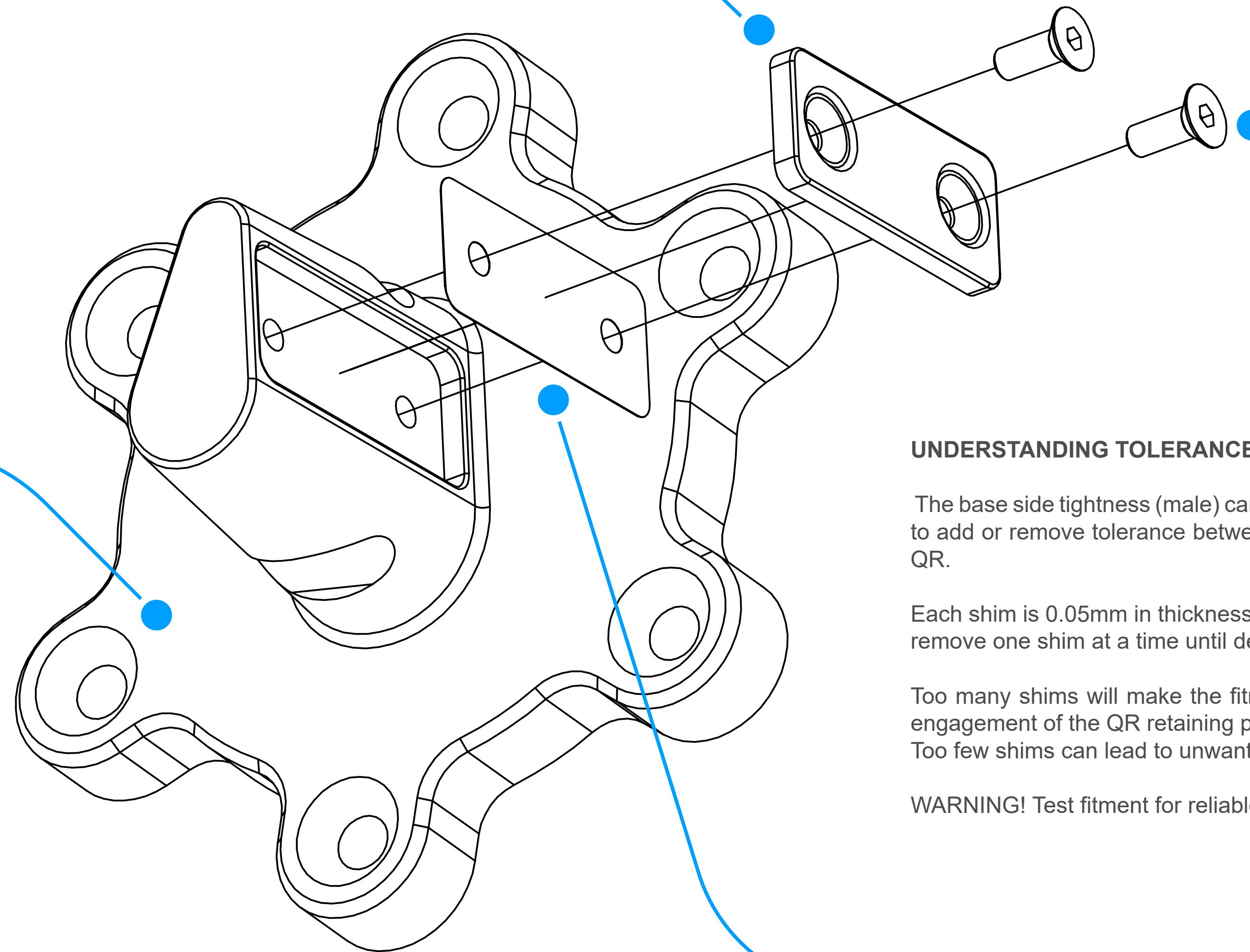
Using the provided “stubby” hex tool attach the base side to your base of choice using the provided M5 x 25mm. You can also use any M5 screw of your choice if your base differs in requirements for attachment.

Step 3.

Adjust based side fitment tightness to your liking.

TOLERANCE ADJUSTMENT CAP

QRS-1 BASE SIDE



M3 x 6mm SHIM SCREWS

UNDERSTANDING TOLERANCE ADJUSTMENT

The base side tightness (male) can be adjusted with the provided shims to add or remove tolerance between the male and female sides of the QR.

Each shim is 0.05mm in thickness. To achieve the perfect fitment add or remove one shim at a time until desired fit is found.

Too many shims will make the fitment too tight and will cause lack of engagement of the QR retaining pins, causing a unreliable connection. Too few shims can lead to unwanted lateral movement.

WARNING! Test fitment for reliable connection before use.

TOLERANCE SHIMS



TERMS AND CONDITIONS

Gomez Sim Industries LLC prides itself on its attention to detail and the quality of its products and materials. We provide this manufacturer's warranty from the date of purchase for all GSI products for a period of 12 months. If you believe you have received a defective product, or are experiencing any problems with your product. Please email us at info@gomezsindustries.com

This warranty strictly does not cover damages that arose from negligence, misuse, modification of any kind, wear and tear, or not in accordance with product instructions (dropping the product, etc.).

If your product malfunctions or fails to perform, you may be eligible for a free replacement (Terms & Conditions apply).

To obtain service under this Warranty, please contact our customer support team at info@gomezsindustries.com with the following information in order to determine the problem and the most appropriate solution:

Proof of purchase

Photo/Video of the faulty product

Please clearly specify the issue with your purchased item. If the problem cannot be resolved, we will send you a replacement, or a full refund including all delivery charges.

Please provide a valid proof of purchase in your initial enquiry, such as your order number on our online store, or a receipt from an authorized retailer. Unfortunately, we cannot offer the warranty to products without proof of purchase.

Please note, to receive a free replacement, you may be asked to send the faulty product to Gomez Sim Industries. Full warranty terms & conditions can be found below.

STANDARD ONE YEAR MANUFACTURER WARRANTY

The manufacturer warrants this product to be free from defects in workmanship and materials, under normal use and conditions, for a period of one (1) year from the original invoice date. Shipping and handling fees are to be paid for by the customer. The manufacturer agrees, at its option during the warranty period, to repair and defect in material or workmanship or to furnish a repaired or refurbished product of equal value in exchange without charge (except for a fee for shipping, handling, packing, return postage, and insurance which will be incurred by the customer). Such repair or replacement is subject to verification of the defect or malfunction and proof of purchase as confirmed by showing the model number on original dated sales receipt.

WARRANTY LIMITATIONS

This warranty does not include: Any condition resulting from other than ordinary wear or any use for which the product was not intended, such as use in rental or commercial use. Any condition resulting from incorrect or inadequate maintenance or care. Damage resulting from misuse, abuse, negligence, accidents or shipping damage, dissatisfaction due to buyer's remorse, normal wear and tear, damages incurred during transportation, damages incurred during assembly or maintenance, any used, previously displayed items

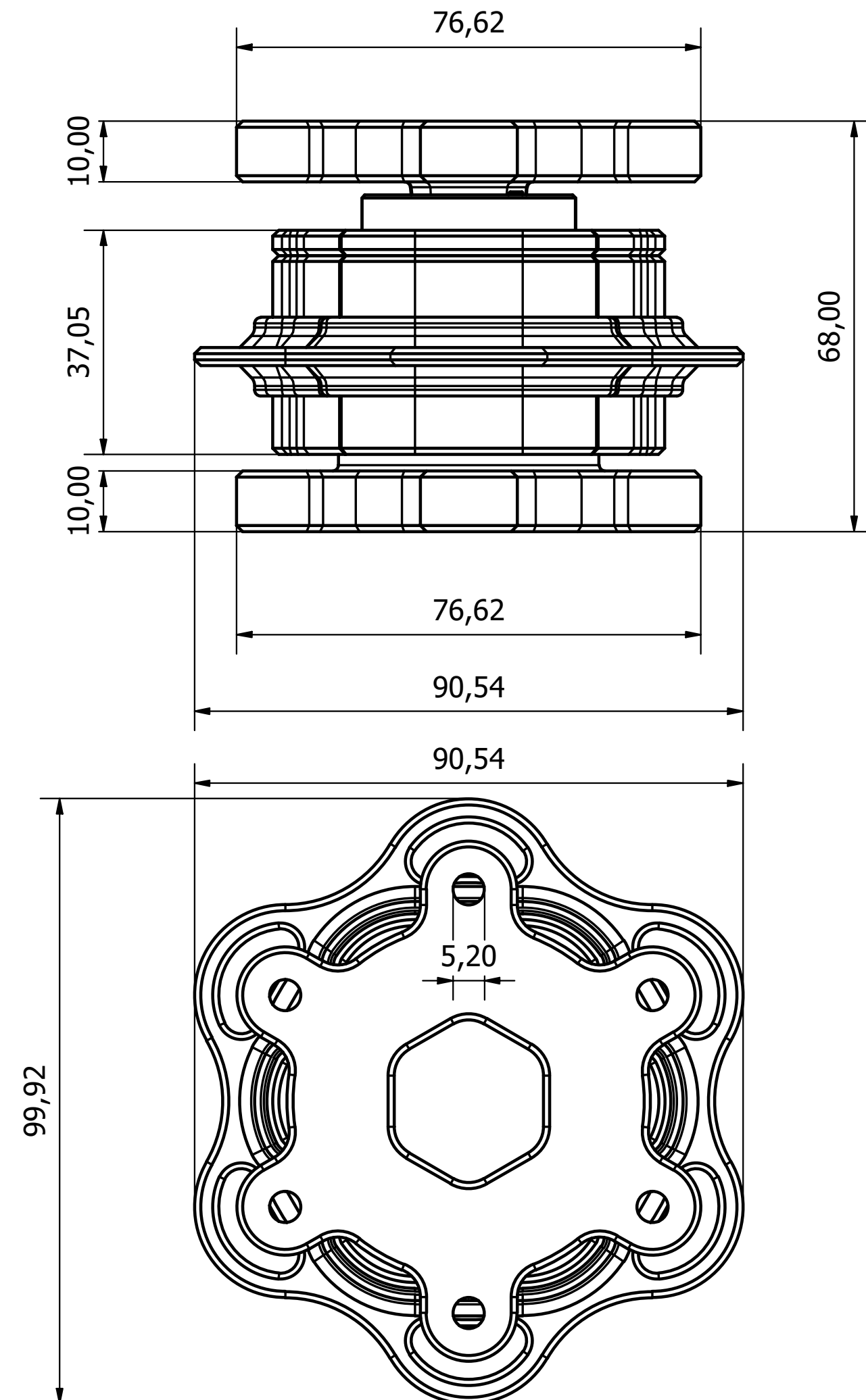
The Company makes no express warranty or condition whether written or oral and the company expressly disclaims all warranties and conditions not stated in this limited warranty. To the extent allowed by the local law of jurisdictions outside the United States, the Company disclaims all implied warranties or conditions, including any implied warranties of merchantability and fitness for a particular purpose. For all transactions occurring in the United States, any implied warranty of condition of merchantability, satisfactory quality, or fitness for a particular purpose is limited to the duration of the express warranty set forth above. Some states or countries do not allow a limitation on how long an implied warranty lasts or the exclusion of limitation of incidental or consequential damages for consumer products. In such states or countries, some exclusions or limitations of this limited warranty may not apply to the Purchaser. For consumer transactions, the limited warranty terms contained in this statement, except to the extent lawfully permitted, do not exclude, restrict, or modify but are in addition to the mandatory statutory rights applicable to the sale of this Product to the Purchaser. All warranty claims must be filed by the consumer to the company. Please retain invoices for a minimum of one year for warranty purposes.

CLAIM PROCEDURES

Claims for defective merchandise must be made within ONE year from invoice date. Claims for missing parts must be made within 60 calendar days after the merchandise is received. Any claim for defective merchandise returns must be packed in original packaging. We reserve the right to specify that items be returned to the original warehouse for inspection. Pictures are required to claim defective merchandise, along with a copy of the original invoice. If the claim is justified, the item(s) or part(s) will be repaired or replaced or a credit will be issued. It is our policy to replace parts whenever possible. This warranty gives you specific legal rights. You may have other rights, which vary from state to state.

RETURN & REFUND POLICY

You have 30 calendar days to return an item from the date you received it. To be eligible for a return, your item must be unused and in the same condition that you received it. Your item must be in the original packaging. Your item needs to have the receipt or proof of purchase.



Warnings & instructions for safe usage.

- **WARNING: CHOKING HAZARD** - Small parts, adult supervision required! Never let children use the GSI steering wheel, or any of the provided parts or tools without supervision by an adult.
- Never use damaged or in any way defective product, stop using it and contact the reseller or the manufacturer.
- Use protective gloves when changing or adding parts to the steering wheel, or when removing parts from it.
- Always make sure everyone using the GSI steering wheel have read and understood the content of the manual above.
- Always check that all connections and quick releases are tightened before using the steering wheel.
- **DO NOT** open the steering wheel or quick release.
- The GSI steering wheel or any of its parts may not be used for any other purpose than what they were designed for. GSI products are meant to be used as an USB-input device on a computer. **DO NOT USE IN A REAL CAR!** The manufacturer is not liable for any damage that may result from using the product in violation of the instructions.
- Always fasten the GSI steering wheel to the direct drive base with M5 bolts (6 pcs). It is the user's responsibility to ensure that the platform can withstand the use of the GSI steering wheel.

Operating environment and safe storage conditions

- 15°C – 35°C temperature, non-condensing humidity.
- Do not expose the GSI steering wheel or any provided parts to direct sunlight or moisture.
- Indoor use and storing only.

Warranty

The product has a 1-year warranty, excluding situations and events where:

- Instructions for use or care have been disregarded.
- The product has been used incorrectly or carelessly.
- An accident or other event has occurred after the product has been handed over, in which the product has been damaged by external factors.
- Normal wear and tear in use.

CE-Marking



Product meets EU standards for health, safety, and environmental protection.

Manufacturer: Gomez Sim Industries LLC

Manufacturer address: 1167 Mississippi Ave #100, Dallas, Texas 75207